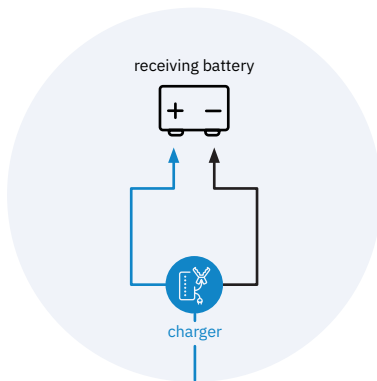


STEP-BY-STEP ACTIVATE BMS WITHOUT AUXILIARY BATTERY

This method only works with an additional AC charger that has a supply function (constant voltage supply), as these can independently unlock a BMS.

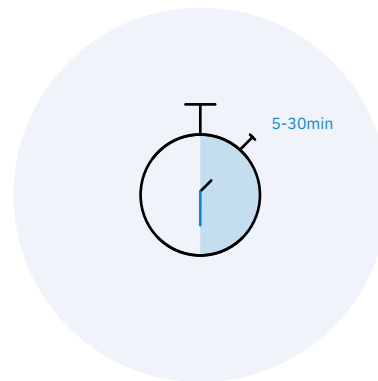
1



PLUG IN

Connect the AC charger to the receiving battery to unlock the BMS.

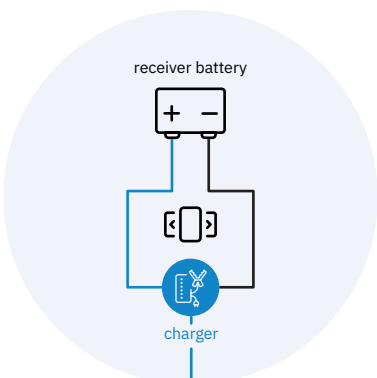
2



WAIT

It can take up to 30 minutes for the BMS to activate.

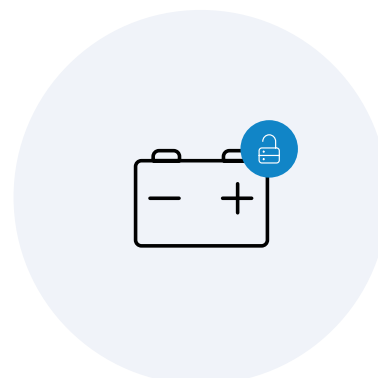
3



SWITCH

Next, switch off the charger from the „Supply function“ to „Load function“.

4



ACTIVATED

Has the charger started charging?
If so, the BMS has been reactivated and you can use the battery again.