

DC 100

AGM DEEP CYCLE
12V | 100Ah | 100h



Electrical Specifications

Nominal voltage	12V
Capacity (25°C)	75Ah @ C ₁₀ (7.5A)
Internal resistance (25°C)	7.0mΩ
Temperature Effect on Capacity	104% at 40°C 100% at 25°C 83% at 0°C 65% at -15°C
Residual capacity after storage (25°C)	3 months: 91% 6 months: 82% 12 months: 65%
Constant charging voltage Cycle (25°C)	14.5 to 14.9V (initial charging current < 22.5A)
Constant charging voltage Float (25°C)	13.6 to 13.8V

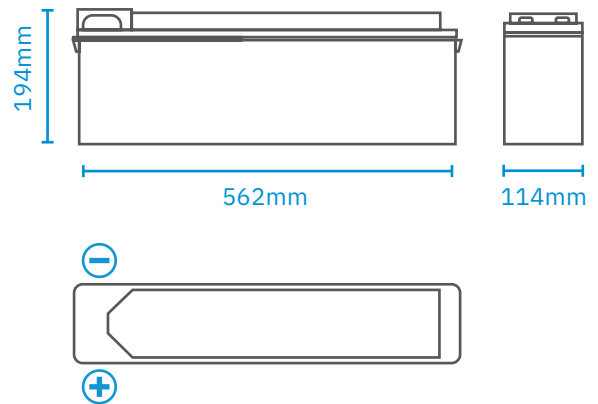
Discharge Specifications

Capacity C ₁₀₀	100Ah
Capacity C ₂₀	86Ah
Capacity C ₁₀	75Ah
Capacity C ₅	69Ah
Capacity C ₃	59Ah
Discharge Current Testing (25°C)	1 hours rate (41.2A): 43Ah 3 hours rate (18.7A): 59Ah

Mechanical Specifications

Measurements (L × W × H)	562 × 114 × 194 mm
Approx. Weight	25.4kg
Terminal Type	T2

Measurements



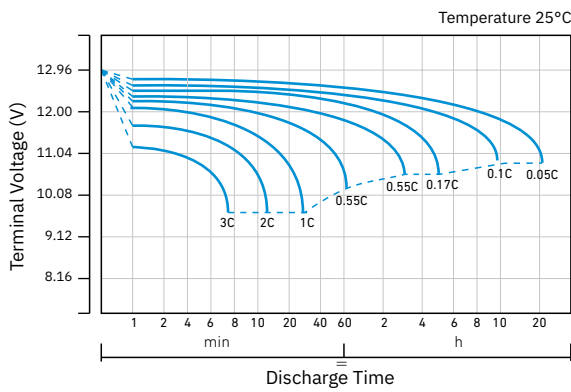
Constant Current Discharge Characteristics (A) 25°C

F.V. / Time	10 min	15 min	30 min	60 min	2 h	3 h	5 h	8 h	10 h	20 h
9.60V	157.2	123.4	77.6	43.1	27.2	19.3	13.6	9.1	7.6	4.0
10.2V	149.3	118.4	74.5	41.2	26.4	19.0	13.4	9.0	7.6	3.9
10.5V	144.8	115.4	72.6	40.2	25.9	18.8	13.1	8.9	7.5	3.9
10.8V	140.3	112.4	70.7	38.9	25.1	18.6	12.8	8.9	7.5	3.8

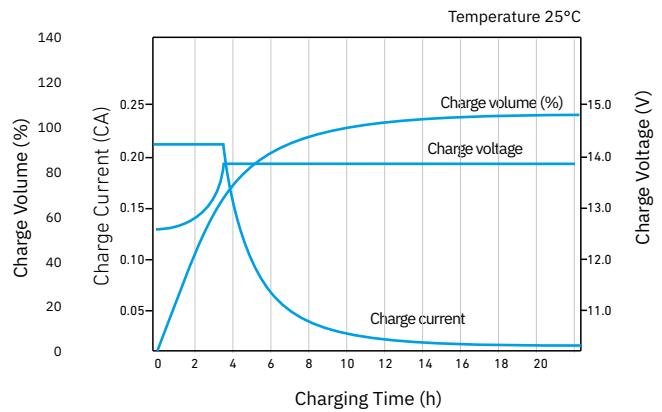
Constant Power Discharge Characteristics 25°C

F.V. / Time	10 min	15 min	30 min	60 min	2 h	3 h	5 h	8 h	10 h	20 h
9.60V	1713.6	1357.2	869.2	491.3	312.9	223.9	159.5	107.2	89.3	47.4
10.2V	1656.7	1326.1	842.1	469.7	303.6	220.5	157.2	106.2	89.7	46.9
10.5V	1621.5	1304.2	828.0	462.3	303.0	220.0	154.6	105.9	88.8	46.8
10.8V	1585.3	1281.8	813.6	447.4	293.7	217.7	151.0	105.5	88.8	45.2

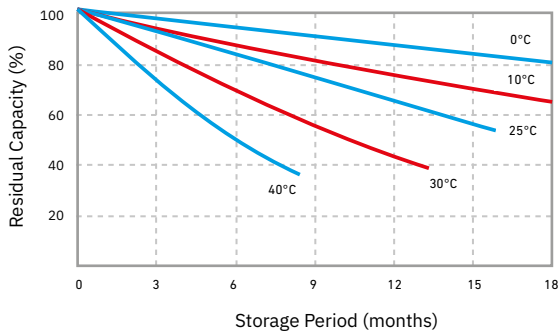
Discharge Characteristics Curve



Charge Characteristics Curve For Cycle Use (IU)



Residual Capacity



Float Life

