

DC 125

AGM DEEP CYCLE

12V | 125Ah | 100h



Electrical Specifications

Nominal voltage	12V
Capacity (25°C)	100Ah @ C ₁₀ (10A)
Internal resistance (25°C)	5.2mΩ
Temperature Effect on Capacity	104% at 40°C 100% at 25°C 83% at 0°C 65% at -15°C
Residual capacity after storage (25°C)	3 months: 91% 6 months: 82% 12 months: 65%
Constant charging voltage Cycle (25°C)	14.5 to 14.9V (initial charging current < 31.5A)
Constant charging voltage Float (25°C)	13.6 to 13.8V

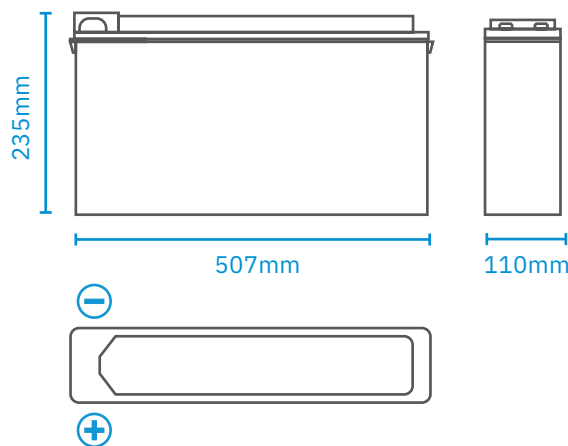
Discharge Specifications

Capacity C ₁₀₀	125Ah
Capacity C ₂₀	115Ah
Capacity C ₁₀	105Ah
Capacity C ₅	97Ah
Capacity C ₃	80Ah
Discharge Current Testing (25°C)	1 hours rate (57.8A): 59Ah 3 hours rate (31.5A): 80Ah

Mechanical Specifications

Measurements (L × W × H)	507 × 110 × 235 mm
Approx. Weight	31.0kg
Terminal Type	T3

Measurements



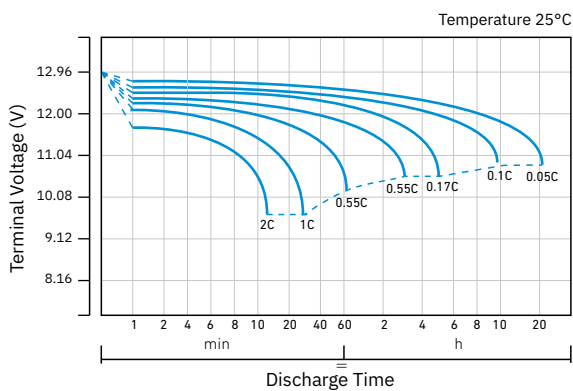
Constant Current Discharge Characteristics (A) 25°C

F.V. / Time	10 min	15 min	30 min	60 min	2 h	3 h	5 h	8 h	10 h	20 h
9.60V	217.8	172.8	106.9	60.6	38.0	27.0	19.2	12.7	10.6	5.4
10.2V	206.9	165.6	103.0	57.9	37.4	26.5	18.9	12.6	10.6	5.4
10.5V	196.8	160.2	100.0	56.5	37.1	26.3	18.7	12.6	10.5	5.3
10.8V	175.6	155.8	97.8	54.7	36.7	26.1	18.5	12.5	10.5	5.3

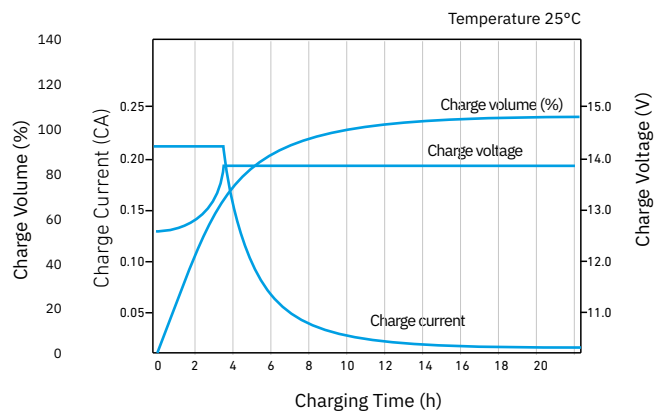
Constant Power Discharge Characteristics 25°C

F.V. / Time	10 min	15 min	30 min	60 min	2 h	3 h	5 h	8 h	10 h	20 h
9.60V	2352.2	1902.8	1199.9	720.6	439.9	316.4	227.8	151.8	127.9	63.4
10.2V	2234.4	1826.6	1155.3	689.4	433.7	312.2	223.6	150.8	126.9	62.8
10.5V	2204.2	1794.2	1149.9	682.3	429.5	308.6	220.5	150.4	125.8	62.4
10.8V	1984.3	1745.0	1115.1	653.8	425.4	305.2	218.4	149.8	124.3	62.1

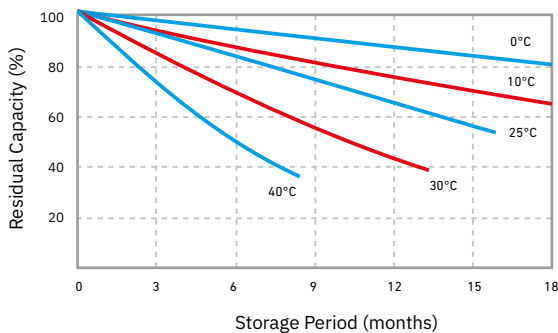
Discharge Characteristics Curve



Charge Characteristics Curve For Cycle Use (IU)



Residual Capacity



Float Life

