

# DC 150

**AGM DEEP CYCLE**  
12V | 150Ah | 100h



## Electrical Specifications

Nominal voltage	12V
Capacity (25°C)	120Ah @ C <sub>10</sub> (12A)
Internal resistance (25°C)	5.3mΩ
Temperature Effect on Capacity	104% at 40°C 100% at 25°C 83% at 0°C 65% at -15°C
Residual capacity after storage (25°C)	3 months: 91% 6 months: 82% 12 months: 65%
Constant charging voltage Cycle (25°C)	14.5 to 14.9V (initial charging current < 36A)
Constant charging voltage Float (25°C)	13.6 to 13.8V

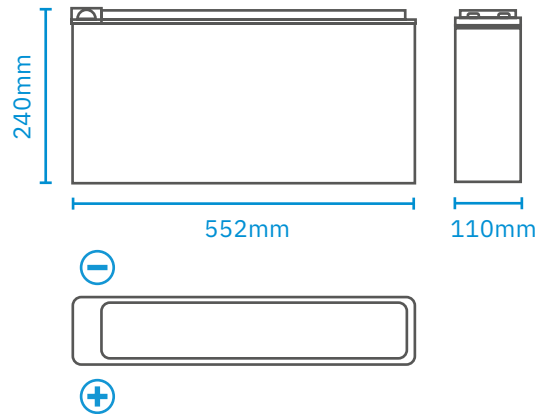
## Discharge Specifications

Capacity C <sub>100</sub>	150Ah
Capacity C <sub>20</sub>	135Ah
Capacity C <sub>10</sub>	120Ah
Capacity C <sub>5</sub>	108Ah
Capacity C <sub>3</sub>	94Ah
Discharge Current Testing (25°C)	1 hours rate (66A): 69Ah 3 hours rate (30A): 94Ah

## Mechanical Specifications

Measurements (L × W × H)	552 × 110 × 240 mm
Approx. Weight	36.6kg
Terminal Type	T2

## Measurements



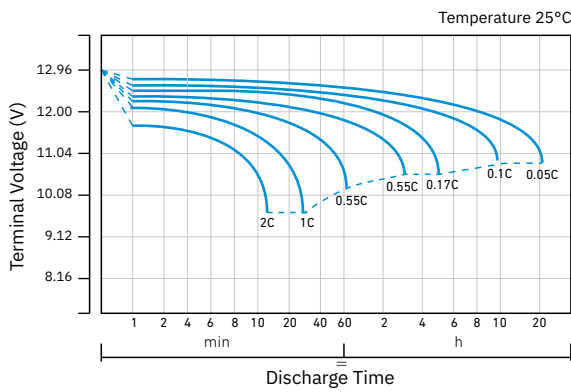
## Constant Current Discharge Characteristics (A) 25°C

F.V. / Time	10 min	15 min	30 min	60 min	2 h	3 h	5 h	8 h	10 h	20 h
<b>9.60V</b>	239.6	203.6	123.6	72.2	43.4	30.7	21.7	14.4	12.2	6.3
<b>10.2V</b>	225.9	195.2	121.2	69.2	42.8	30.2	21.4	14.3	12.1	6.2
<b>10.5V</b>	212.7	185.1	118.1	67.6	42.4	29.9	21.2	14.2	12.0	6.2
<b>10.8V</b>	197.5	172.3	116.5	65.5	41.9	29.6	21.0	14.1	12.0	6.1

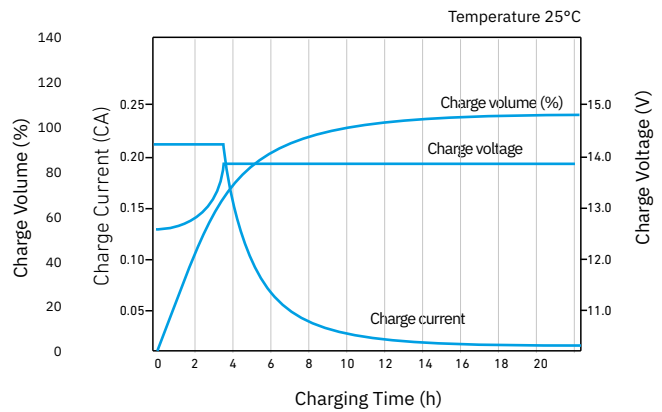
### Constant Power Discharge Characteristics 25°C

F.V. / Time	10 min	15 min	30 min	60 min	2 h	3 h	5 h	8 h	10 h	20 h
<b>9.60V</b>	2611.6	2239.6	1384.3	830.1	501.9	361.4	358.4	171.3	143.6	76.2
<b>10.2V</b>	2507.5	2186.2	1369.6	795.5	495.0	355.4	252.5	170.3	142.6	75.4
<b>10.5V</b>	2382.2	2091.6	1346.3	776.7	491.1	351.5	249.5	169.3	141.6	74.0
<b>10.8V</b>	2231.8	1964.2	1339.8	753.9	484.1	348.5	248.5	166.3	141.2	73.7

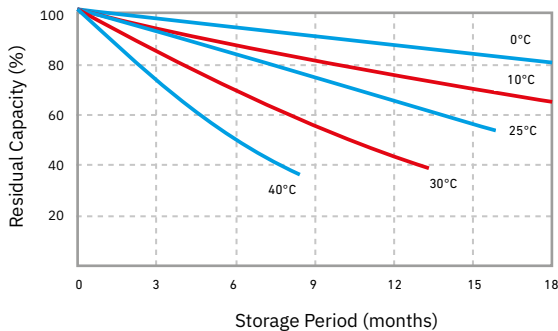
Discharge Characteristics Curve



Charge Characteristics Curve For Cycle Use (IU)



Residual Capacity



Float Life

