

# DC 195

**AGM DEEP CYCLE**  
12V | 195Ah | 100h



## Electrical Specifications

Nominal voltage	12V
Capacity (25°C)	150Ah @ C <sub>10</sub> (15A)
Internal resistance (25°C)	5.0mΩ
Temperature Effect on Capacity	104% at 40°C 100% at 25°C 83% at 0°C 65% at -15°C
Residual capacity after storage (25°C)	3 months: 91% 6 months: 82% 12 months: 65%
Constant charging voltage Cycle (25°C)	14.5 to 14.9V (initial charging current < 45A)
Constant charging voltage Float (25°C)	13.6 to 13.8V

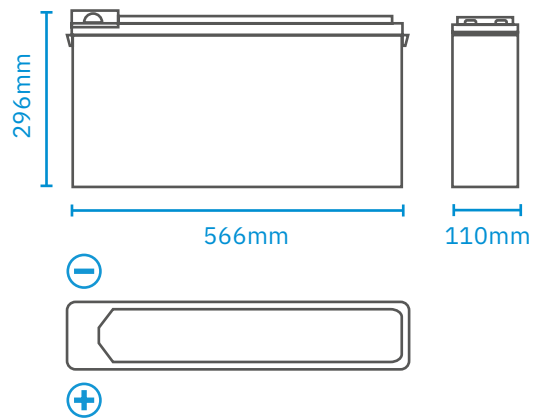
## Discharge Specifications

Capacity C <sub>100</sub>	195Ah
Capacity C <sub>20</sub>	170Ah
Capacity C <sub>10</sub>	150Ah
Capacity C <sub>5</sub>	135Ah
Capacity C <sub>3</sub>	114Ah
Discharge Current Testing (25°C)	1 hours rate (82.5A): 84Ah 3 hours rate (37.5A): 114Ah

## Mechanical Specifications

Measurements (L × W × H)	566 × 110 × 296 mm
Approx. Weight	45.3kg
Terminal Type	T2

## Measurements



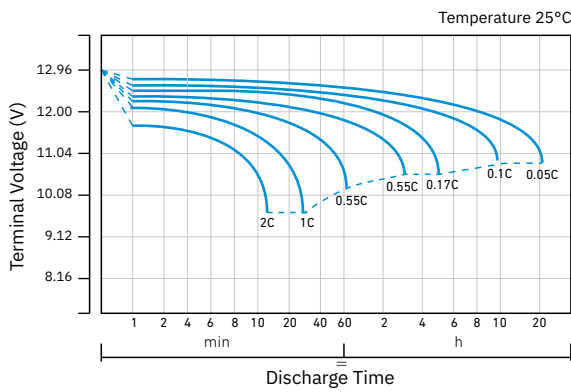
## Constant Current Discharge Characteristics (A) 25°C

F.V. / Time	15 min	30 min	60 min	2 h	3 h	4 h	5 h	8 h	10 h	20 h
<b>9.60V</b>	253.6	150.4	86.5	53.4	38.0	31.1	27.3	18.1	15.2	7.9
<b>10.2V</b>	238.6	144.8	84.2	52.4	37.4	30.7	26.4	17.9	15.1	7.8
<b>10.5V</b>	228.6	141.0	82.1	51.4	36.6	30.5	25.7	17.6	15.0	7.7
<b>10.8V</b>	221.4	137.2	78.6	50.8	35.7	29.5	24.8	17.4	15.0	7.6

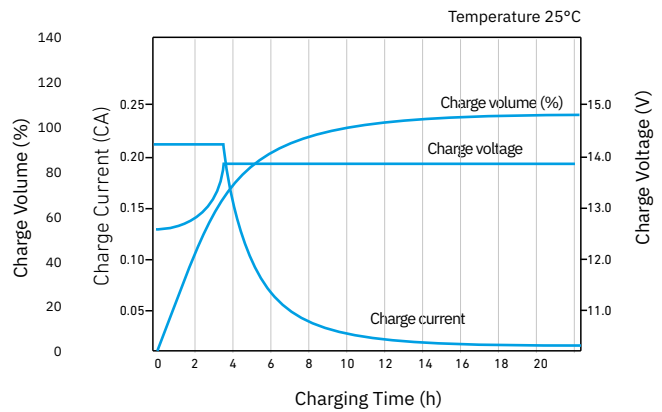
### Constant Power Discharge Characteristics 25°C

F.V. / Time	15 min	30 min	60 min	2 h	3 h	4 h	5 h	8 h	10 h	20 h
<b>9.60V</b>	2789.6	1635.3	951.2	588.6	418.9	361.3	301.7	199.8	167.5	87.2
<b>10.2V</b>	2672.3	1578.9	925.6	576.6	412.2	352.1	290.8	197.6	166.4	86.3
<b>10.5V</b>	2582.3	1536.2	902.4	565.1	402.9	344.5	283.5	193.6	165.2	85.6
<b>10.8V</b>	2524.0	1502.1	864.1	558.4	392.7	333.8	272.8	191.4	164.7	84.8

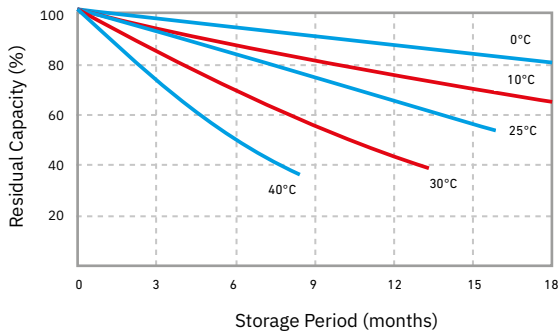
Discharge Characteristics Curve



Charge Characteristics Curve For Cycle Use (IU)



Residual Capacity



Float Life

