



DC 230

AGM DEEP CYCLE
12V | 230Ah | 100h



Electrical Specifications

Nominal voltage	12V
Capacity (25°C)	185Ah @ C ₁₀ (20A)
Internal resistance (25°C)	3.4mΩ
Temperature Effect on Capacity	104% at 40°C 100% at 25°C 83% at 0°C 65% at -15°C
Residual capacity after storage (25°C)	3 months: 91% 6 months: 82% 12 months: 65%
Constant charging voltage Cycle (25°C)	14.5 to 14.9V (initial charging current < 60A)
Constant charging voltage Float (25°C)	13.6 to 13.8V

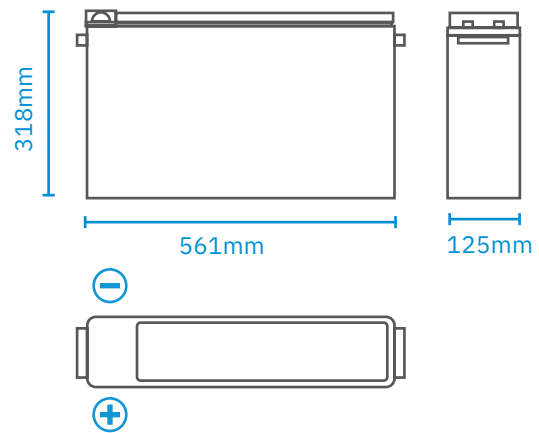
Discharge Specifications

Capacity C ₁₀₀	230Ah
Capacity C ₂₀	200Ah
Capacity C ₁₀	185Ah
Capacity C ₅	167Ah
Capacity C ₃	146Ah
Discharge Current Testing (25°C)	1 hours rate (110A): 107Ah 3 hours rate (50A): 146Ah

Mechanical Specifications

Measurements (L × W × H)	561 × 125 × 318 mm
Approx. Weight	57kg
Terminal Type	T2

Measurements



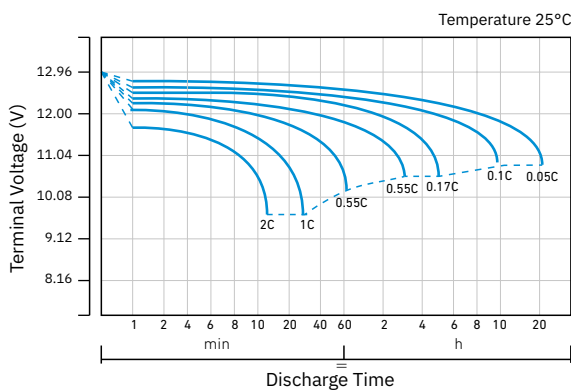
Constant Current Discharge Characteristics (A) 25°C

F.V. / Time	15 min	30 min	60 min	2 h	3 h	4 h	5 h	8 h	10 h	20 h
9.60V	352.2	207.5	116.2	74.0	50.7	42.9	35.2	24.3	20.3	10.4
10.2V	332.5	204.0	111.6	72.5	50.0	42.2	34.4	24.0	20.2	10.4
10.5V	314.8	198.0	108.7	71.0	49.0	41.3	33.6	23.8	20.1	10.3
10.8V	288.3	188.8	103.6	69.0	47.3	39.9	32.4	23.3	20.0	10.2

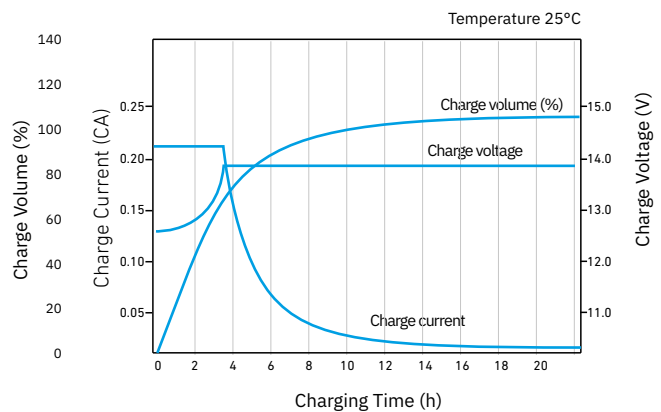
Constant Power Discharge Characteristics 25°C

F.V. / Time	15 min	30 min	60 min	2 h	3 h	4 h	5 h	8 h	10 h	20 h
9.60V	3874.2	2324.0	1278.2	814.0	557.3	472.3	387.2	266.8	223.3	114.4
10.2V	3724.0	2305.2	1227.6	797.5	550.0	464.2	378.4	264.0	222.2	114.4
10.5V	3557.2	2257.2	1195.7	781.0	539.0	454.3	369.6	261.3	221.1	113.3
10.8V	3400.6	2171.2	1139.6	759.0	520.7	438.5	356.4	255.8	220.0	112.2

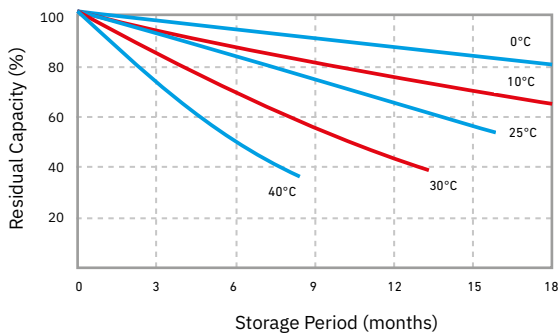
Discharge Characteristics Curve



Charge Characteristics Curve For Cycle Use (IU)



Residual Capacity



Float Life

