

DC 340

AGM DEEP CYCLE

6 V | 340Ah | 100 h



Electrical Specifications

Nominal voltage	6V
Capacity (25°C)	340Ah at C ₁₀₀
Internal resistance (25°C)	Ca. 2.0mΩ
Temperature effect on capacity	103% at 40°C 100% at 25°C 86% at 0°C
Residual capacity after storage (25°C)	3 months: 91% 6 months: 82% 12 months: 65%

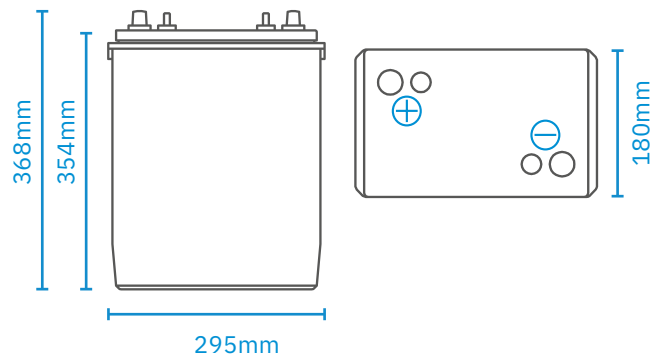
Discharge Specifications

Capacity C ₁₀₀	340Ah
Capacity C ₂₀	300Ah
Capacity C ₁₀	275Ah
Capacity C ₅	245Ah
Capacity C ₃	180Ah
Max. discharge current	2500 A (5 s)

Mechanical Specifications

Measurements (L × B × H)	295 × 178 × 368mm
Weight	46.0 kg
Terminal type	T5 / DT
Casing material	ABS
Temperature (Discharge)	-20 to 55°C
Temperature (Charging)	0 to 40°C
Temperature (Storage)	-20 to 50°C

Measurements



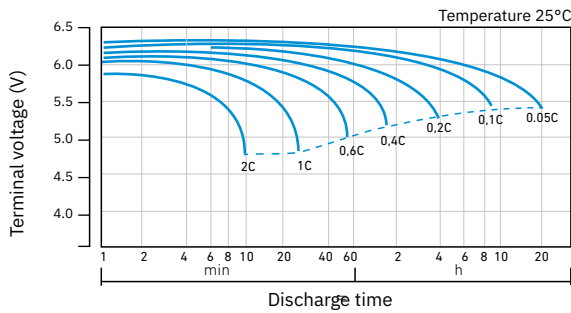
Constant Current Discharge Characteristics (A) 25°C

F.V. / Zeit	15 Min	20min	30min	45min	1 h	2 h	3 h	4 h	5 h	6 h	8 h	10 h	20 h
1.85V/cell	412.0	370.8	306.7	243.2	199.6	119.9	92.7	76.1	64.8	56.6	45.6	38.2	20.3
1.80V/cell	468.0	412.8	329.1	255.9	212.0	126.5	97.2	79.5	67.5	59.1	47.4	40.0	21.0
1.75V/cell		445.0	348.5	269.0	221.2	131.7	100.8	82.2	69.6	60.5	48.3	40.4	21.2
1.70V/cell		475.9	365.7	279.2	228.9	135.6	103.5	84.0	70.8	61.6	49.0	40.8	21.4
1.65V/cell			383.6	291.3	237.2	139.7	105.7	85.8	72.3	62.7	49.7	41.3	21.7
1.60V/cell			396.8	299.2	242.8	143.0	108.0	87.0	73.4	63.5	50.4	41.8	21.9

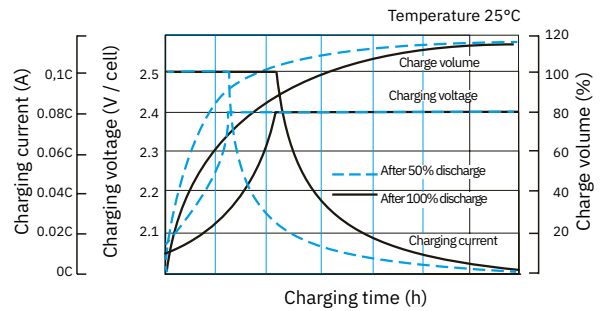
Constant Power Discharge Characteristics 25°C

F.V. / Zeit	15 Min	20min	30min	45min	1 h	2 h	3 h	4 h	5 h	6 h	8 h	10 h	20 h
1.85 V/cell	780.1	705.3	586.2	467.6	386.1	233.2	181.1	149.3	127.7	111.8	90.5	76.0	40.3
1.80 V/cell	874.8	776.9	623.9	488.7	407.8	244.9	189.1	155.4	132.4	116.4	93.7	79.4	41.7
1.75 V/cell		827.8	655.6	510.9	423.6	254.0	195.6	163.0	136.0	118.8	95.2	80.1	42.1
1.70 V/cell		877.8	682.2	526.4	436.1	260.4	200.0	163.0	138.0	120.7	96.6	80.9	42.5
1.65 V/cell			710.2	546.3	449.3	267.1	203.5	165.9	140.4	122.4	97.8	81.8	43.0
1.60 V/cell			727.3	555.8	456.7	271.7	206.7	167.5	141.9	123.7	98.8	82.6	43.4

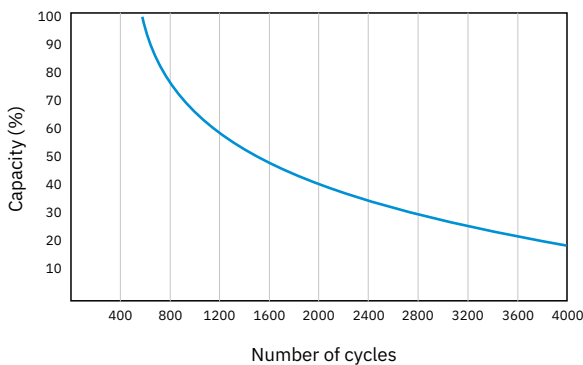
Discharge Characteristics Curve



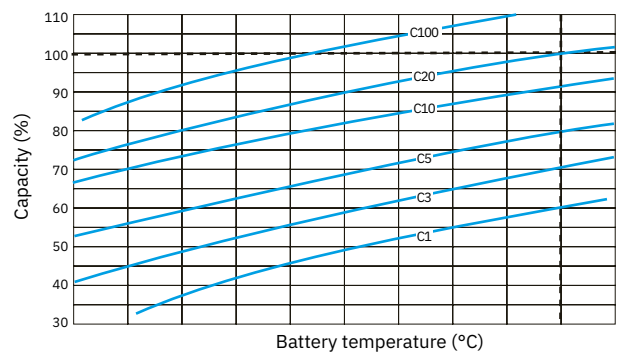
Charge Characteristics Curve For Cycle Use (IU)



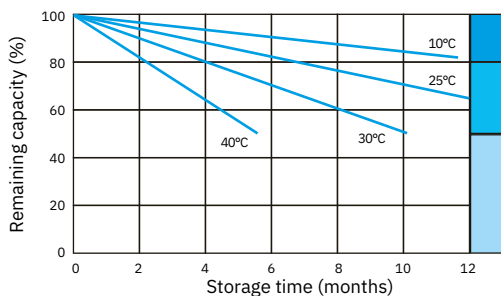
Cycle Life in relation to Depth of Discharge



Temperature Effects in Relation to Battery Capacity



Self Discharge Characteristics



- No supplementary charge required. Charge the battery if 100% capacity is required.
- Supplementary charge required. Charge the battery by any of the following methods:
 1. Charge for at least 3 days at 0.25 CA and 0.25 V/cell
 2. Charge for at least 20 h at 0.25 CA and 2.45 V / cell
 3. Charge for 8 to 10 h at 0.05 CA
- Supplementary charge may often fail to restore the capacity. The battery should never be left in storage until this state is reached.