



DC 195

GEL DEEP CYCLE
12V | 195Ah | 100h



Electrical Specifications

Nominal voltage	12V
Capacity (25°C)	150Ah @ C ₁₀ (15A)
Internal resistance (25°C)	3.4mΩ
Temperature Effect on Capacity	104% at 40°C 100% at 25°C 83% at 0°C 65% at -15°C
Residual capacity after storage (25°C)	3 months: 91% 6 months: 82% 12 months: 65%
Constant charging voltage Cycle (25°C)	14.5 to 14.9V (initial charging current < 45A)
Constant charging voltage Float (25°C)	13.6 to 13.8V

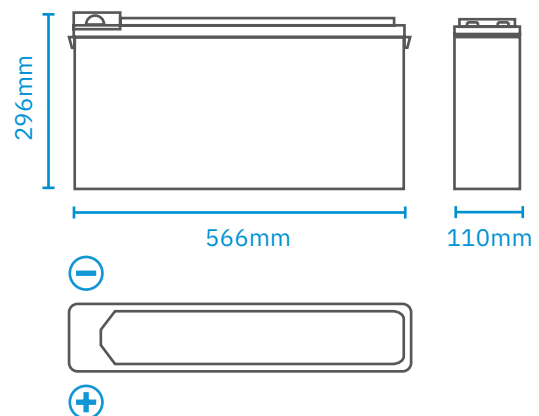
Discharge Specifications

Capacity C ₁₀₀	195Ah
Capacity C ₂₀	170Ah
Capacity C ₁₀	150Ah
Capacity C ₅	135Ah
Capacity C ₃	114Ah
Discharge Current Testing (25°C)	1 hours rate (82.5A): 84Ah 3 hours rate (37.5A): 114Ah

Mechanical Specifications

Measurements (L × W × H)	566 × 110 × 296 mm
Approx. Weight	45.3kg
Terminal Type	T2

Measurements



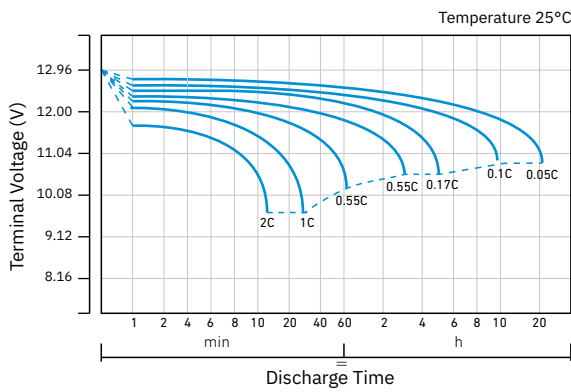
Constant Current Discharge Characteristics (A) 25°C

F.V. / Time	10 min	15 min	30 min	60 min	2 h	3 h	5 h	8 h	10 h	20 h
9.60V	243.0	150.4	91.7	53.6	38.0	31.1	27.3	18.1	15.2	7.9
10.2V	233.1	144.8	88.0	51.8	37.4	30.7	26.7	17.9	15.1	7.8
10.5V	228.6	141.0	86.2	51.4	37.1	30.5	26.6	17.8	15.0	7.8
10.8V	221.4	137.2	83.6	50.8	36.7	29.5	26.4	17.8	15.0	7.7

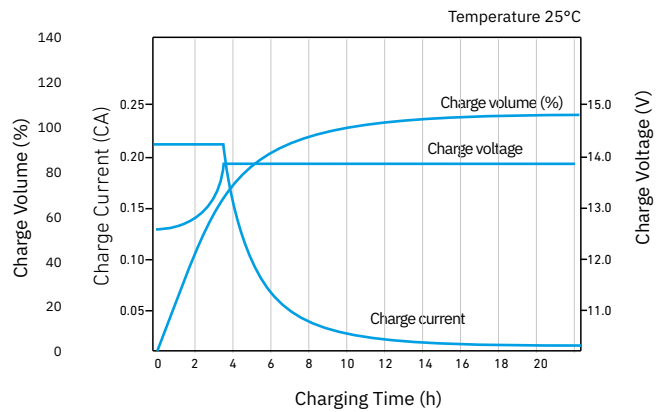
Constant Power Discharge Characteristics 25°C

F.V. / Time	10 min	15 min	30 min	60 min	2 h	3 h	5 h	8 h	10 h	20 h
9.60V	2668.5	1615.5	1000.8	603.3	442.7	365.3	322.7	214.8	181.2	94.5
10.2V	2559.6	1555.2	960.3	593.8	436.1	360.4	318.8	212.9	179.2	93.9
10.5V	2509.2	1514.7	940.5	588.1	431.3	358.4	314.8	211.9	178.2	93.9
10.8V	2430.9	1474.2	911.7	582.4	427.5	347.5	312.8	210.9	177.2	92.7

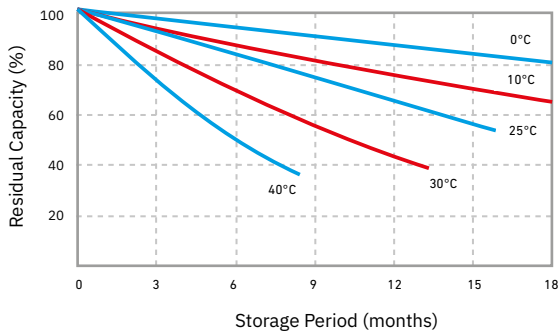
Discharge Characteristics Curve



Charge Characteristics Curve For Cycle Use (IU)



Residual Capacity



Float Life

