

DC 230

GEL DEEP CYCLE
12V | 230Ah | 100h



Electrical Specifications

| | |
|--|--|
| Nominal voltage | 12V |
| Capacity (25°C) | 185Ah @ C ₁₀ (20A) |
| Internal resistance (25°C) | 3.2mΩ |
| Temperature Effect on Capacity | 104% at 40°C 100% at 25°C 83% at 0°C 65% at -15°C |
| Residual capacity after storage (25°C) | 3 months: 91% 6 months: 82% 12 months: 65% |
| Constant charging voltage Cycle (25°C) | 14.5 to 14.9V (initial charging current < 60A) |
| Constant charging voltage Float (25°C) | 13.6 to 13.8V |

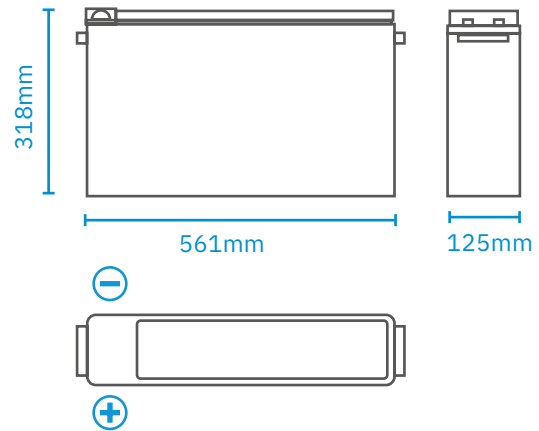
Discharge Specifications

| | |
|----------------------------------|---|
| Capacity C ₁₀₀ | 230Ah |
| Capacity C ₂₀ | 200Ah |
| Capacity C ₁₀ | 185Ah |
| Capacity C ₅ | 167Ah |
| Capacity C ₃ | 146Ah |
| Discharge Current Testing (25°C) | 1 hours rate (110A): 107Ah 3 hours rate (50A): 146Ah |

Mechanical Specifications

| | |
|--------------------------|--------------------|
| Measurements (L × W × H) | 561 × 125 × 318 mm |
| Approx. Weight | 57kg |
| Terminal Type | T2 |

Measurements



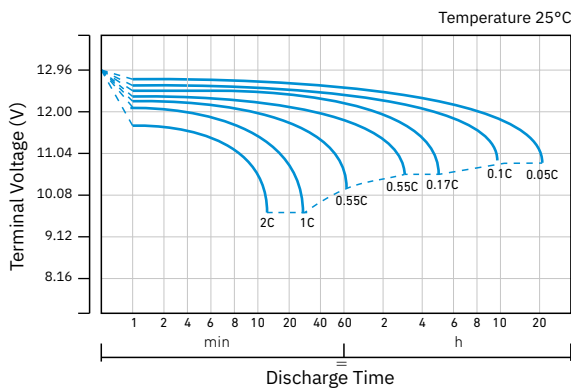
Constant Current Discharge Characteristics (A) 25°C

| F.V. / Time | 10 min | 15 min | 30 min | 60 min | 2 h | 3 h | 5 h | 8 h | 10 h | 20 h |
|--------------|--------|--------|--------|--------|------|------|------|------|------|------|
| 9.60V | 358.9 | 203.7 | 126.1 | 70.9 | 53.4 | 40.5 | 36.7 | 23.1 | 19.1 | 9.8 |
| 10.2V | 344.4 | 195.9 | 121.3 | 69.8 | 51.9 | 40.1 | 35.5 | 22.9 | 18.9 | 9.7 |
| 10.5V | 337.6 | 191.1 | 118.3 | 69.3 | 51.5 | 39.8 | 35.2 | 22.8 | 18.9 | 9.6 |
| 10.8V | 236.9 | 168.2 | 115.4 | 68.4 | 50.8 | 38.6 | 34.8 | 22.5 | 18.8 | 9.6 |

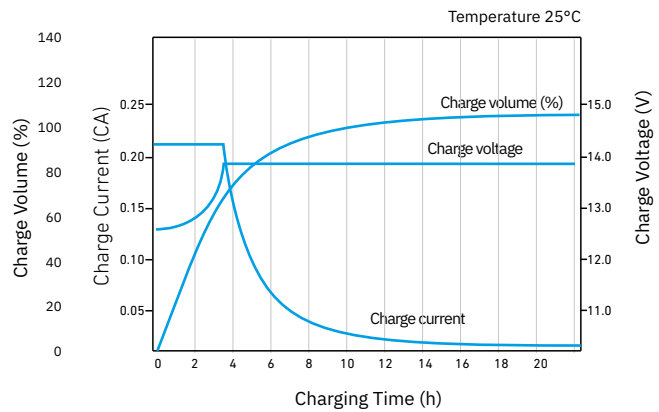
Constant Power Discharge Characteristics 25°C

| F.V. / Time | 10 min | 15 min | 30 min | 60 min | 2 h | 3 h | 5 h | 8 h | 10 h | 20 h |
|--------------|--------|--------|--------|--------|-------|-------|-------|-------|-------|-------|
| 9.60V | 3859.9 | 2238.2 | 1407.9 | 803.7 | 607.1 | 477.2 | 421.8 | 273.6 | 229.9 | 117.8 |
| 10.2V | 3705.0 | 2148.9 | 1353.8 | 791.4 | 597.6 | 471.4 | 415.2 | 271.7 | 228.0 | 116.9 |
| 10.5V | 3630.0 | 2099.5 | 1320.5 | 784.7 | 592.8 | 467.5 | 411.4 | 270.8 | 227.2 | 115.9 |
| 10.8V | 3519.8 | 2041.6 | 1284.4 | 775.2 | 586.2 | 454.0 | 407.6 | 267.0 | 226.4 | 114.7 |

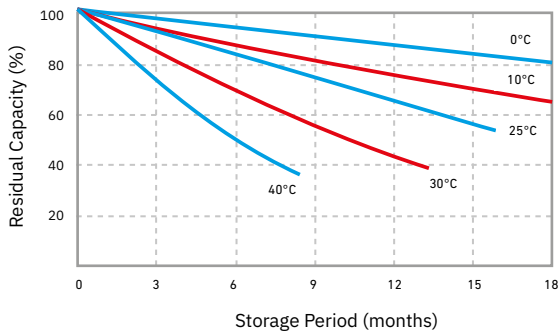
Discharge Characteristics Curve



Charge Characteristics Curve For Cycle Use (IU)



Residual Capacity



Float Life

