

DC 85sc

GEL DEEP CYCLE
12V | 85Ah | 100h



Electrical Specifications

Nominal voltage	12V
Capacity (25°C)	85Ah at C ₁₀₀
Internal resistance (25°C)	4.8mΩ
Temperature effect on capacity	104% at 40°C 100% at 25°C 83% at 0°C 65% at -15°C
Residual capacity after storage (25°C)	3 months: 91% 6 months: 82% 12 months: 65%
Constant charging voltage Cycle (25°C)	14.4 V (initial charging current < 22.5A)
Float charge voltage (25°C)	13.6 to 13.8V
Max. solar power	120 Wp
Max. short-circuit current (solar)	10 A

Mechanical Specifications

Measurements (L × W × H)	260 × 168 × 219mm
Approx. weight	22.9kg
Terminal type	T1

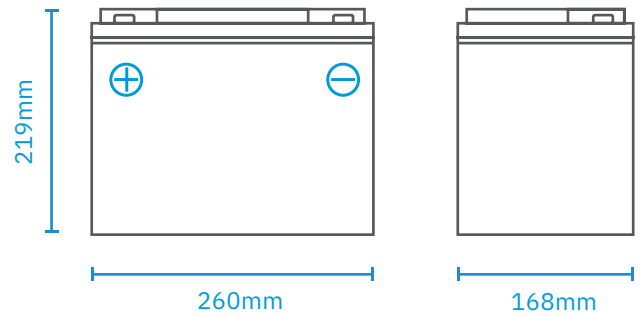
Constant Current Discharge Characteristics (A) 25°C

F.V. / Time	5 min	10 min	15 min	30 min	60 min	2 h	3 h	5 h	8 h	10 h	20 h
9.60V	236.5	158.3	124.2	78.2	47.4	27.4	19.4	13.7	9.1	7.6	4.0
10.2V	224.4	150.3	119.2	75.0	45.5	27.1	19.1	13.5	9.1	7.6	3.9
10.5V	217.9	145.8	116.2	73.1	44.3	26.8	18.9	13.3	9.0	7.5	3.8
10.8V	211.4	141.3	113.2	71.2	43.2	26.5	18.1	13.2	8.9	7.5	3.8

Discharge Specifications

Capacity C ₁₀₀	85Ah
Capacity C ₂₀	75Ah
Capacity C ₁₀	65Ah
Capacity C ₅	60Ah
Capacity C ₃	58Ah
Discharge current testing (25°C)	1h rate (41.2A) : 42Ah 3h rate (18.7A) : 58Ah

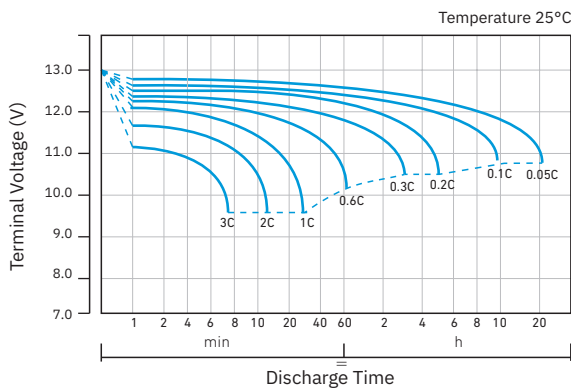
Measurements



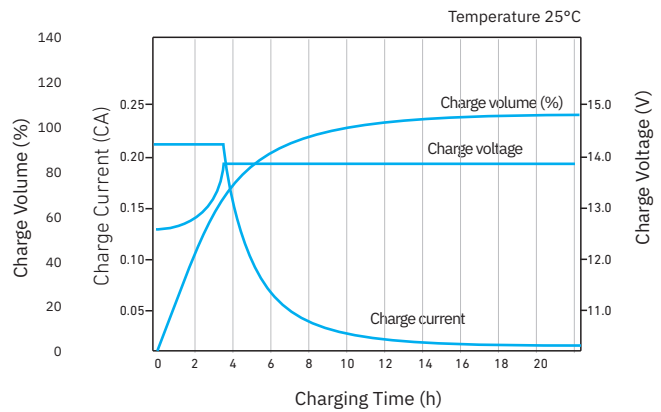
Constant Power Discharge Characteristics 25°C

F.V. / Time	5 min	10 min	15 min	30 min	60 min	2 h	3 h	5 h	8 h	10 h	20 h
9.60V	2486.0	1704.4	1361.7	876.8	540.1	316.8	228.5	162.3	108.6	91.1	48.1
10.2V	2361.7	1619.2	1306.6	841.7	518.0	312.2	225.5	160.3	107.6	90.3	47.6
10.5V	2290.6	1570.6	1274.0	820.6	505.0	309.8	222.9	158.3	107.1	89.7	47.5
10.8V	2219.4	1522.0	1241.5	799.6	492.0	306.4	220.4	156.3	106.1	89.1	47.4

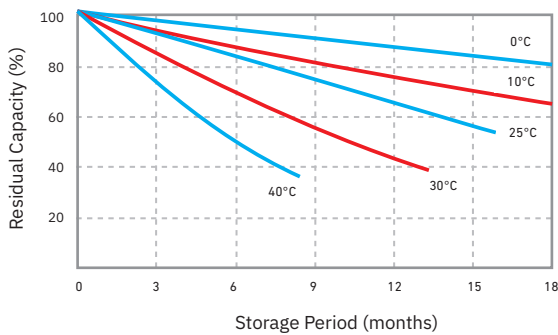
Discharge Characteristics Curve



Charge Characteristics Curve For Cycle Use (IU)



Residual Capacity



Float Life

