


SBB 60

Battery Booster | 60 A | 90 - 560 Ah | 24 to 12 V



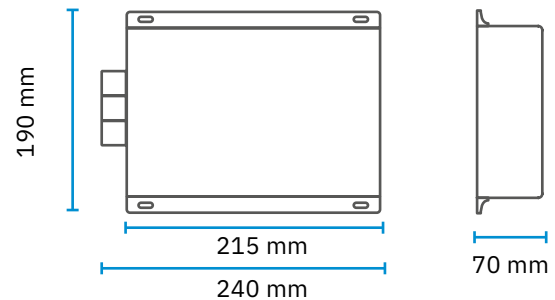
Electrical Specifications

| | |
|---|--|
| Charging mode | MPPT |
| max. Solar Module Capacity | 685Wp |
| max. Solar Module Current | 40A |
| max. Solar Module Voltage | 50V |
| Battery Nominal Voltage (DC) | 12V |
| Battery nominal capacity | 90 - 560Ah |
| Starter battery nominal capacity min. | 100Ah |
| “Board I” max. charge current solar | 50A |
| “Board I” max. charge current | 60A |
| Input voltage range “Start II” | 20 - 32V |
| Input overvoltage disconnection “Start II” , max. | 33V |
| Activation control input “D+” | 16 - 32V |
| Main battery overvoltage protection | 15,5V |
| Stand-by current | 24mA |
| ECE R10 conformity |  10R06/01*3837*00 |

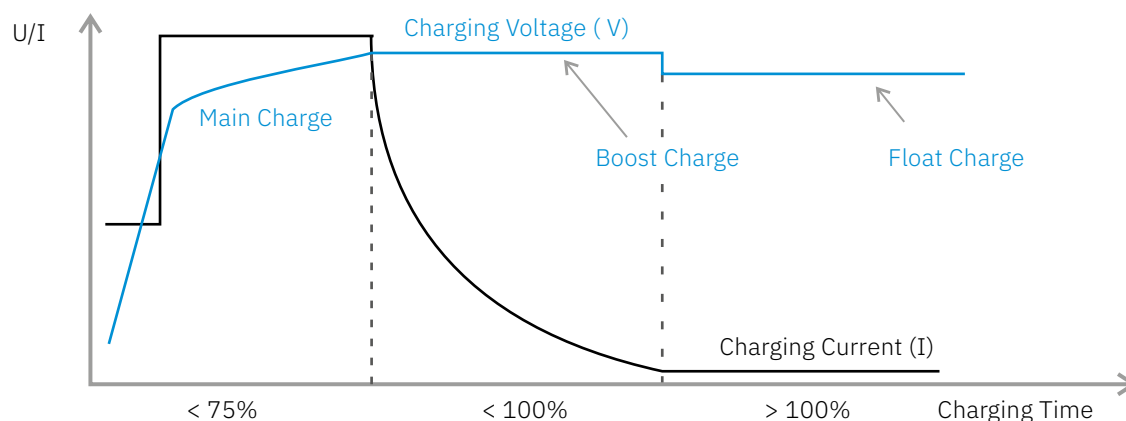
Mechanical Specifications

| | |
|---|--|
| Measurements (L x W x H) | 240 x 190 x 70 mm |
| Weight | 1.7kg |
| Temperature range | -20 to 50°C |
| Ambient conditions | max. 95% humidity, no condensation |
| Optional accessories | Charge monitor, Bluetooth adapter, App display |
| Input “T T” for battery temperature sensor “Board I” | Yes |
| “Ss-” “Ss+” inputs for sensor cables “-” and “+” for Battery “Board I”: | Yes |

Measurements



Charging Characteristics



Adjustable for battery types:

- Lead acid
- AGM
- Gel
- LiFePO₄